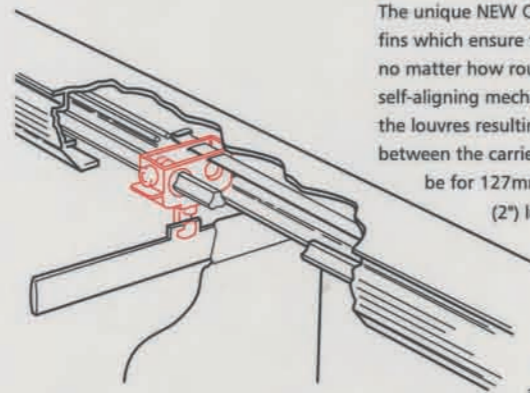
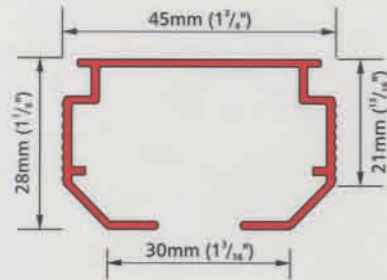


MAESTRO™

Vertical Blind System



The elegant, ribbed, aluminium headrail is available either anodised or powder coated. It has been designed to be inobtrusive. Although it can support the heaviest weights of louvres it is only 28mm (1 1/8") deep and 45mm (1 1/2") wide at the top. The lower part of the section reduces even further to a mere 30mm (1 1/8") at the bottom. This chamfer has two advantages. It softens the appearance of the headrail so that it blends more readily into its surroundings. Secondly it gives additional clearance to tilt and turn windows allowing the blind to be fitted nearer to the window frame.

Maestro™ blinds are manufactured using high quality materials such as stainless steel, aluminium with corrosion resistant finishes and specially developed plastics. For instance, the plastic used to mould the carrier trucks has been produced specifically to ensure the smoothest possible operation of the blind and to guard against UV degradation.

The unique NEW CONCEPT™ carriers are fitted with wheels and stabilising fins which ensure that the trucks always remain in their correct orientation no matter how roughly the blind is operated. The trucks also incorporate a self-aligning mechanism with limit stops which allow a full 185° rotation of the louvres resulting in an excellent closure of the blind. The spacing between the carrier trucks is controlled by stainless steel spacer links and can be for 127mm (5"), 100mm (4"), 89mm (3 1/2"), 63mm (2 1/2") or 50mm (2") louvres.

Blinds can be made up to 5 metres (16' 3") wide and to almost any vertical drop. When blinds of greater width are required, tracks can be made which, when butted together, allow the end louvre on one blind to overlap the end louvre on the opposite blind. The overall appearance is of one, continuous blind.

GENERAL APPLICATIONS

These contemporary and extremely practical vertical blinds are available from approved manufacturers worldwide. They are easily fitted and provide an efficient method of light control. A vast range of attractive fabrics, many of them flame retardant and some featuring unique SPC® (Solar Protective Coating) make these blinds the sensible choice for projects large or small. The fabrics are designed specifically for window blinds.



MAINTENANCE

Tracks are uncomplicated and robust. The components are made in aluminium, plastic or stainless steel. They do not present any corrosion problems in normal environments. The design of the components minimises damage caused by operator misuse. Any damage which does occur can normally be rectified easily on site.

The fabrics are designed specifically for vertical and roller blinds. Long-term mechanical and dimensional stability, colour fastness and ease of cleaning are considered to be of equal importance to appearance and economy.

BUNCHING OPTIONS

And table of approximate stacking distances.

ONE WAY BUNCH	89mm (3 1/2") Louvres
127mm (5") Louvres	225mm (8 7/8") for the first metre (3'3") width of blind
190mm (7 1/2") for the first metre (3'3") width of blind	175mm (7") for each additional metre
115mm (4 1/2") for each additional metre	
SPLIT BUNCH - Distance stacked each side	89mm (3 1/2") Louvres
127mm (5") Louvres	225mm (8 7/8") for the first metre (3'3") width of blind
135mm (5 1/4") for the first metre (3'3") width of blind	175mm (7") for each additional metre
55mm (2 1/8") for each additional metre	
CENTRE BUNCH	89mm (3 1/2") Louvres
127mm (5") Louvres	165mm (6 1/2") for the first metre (3'3") width of blind
115mm (4 1/2") for the first metre (3'3") width of blind	165mm (6 1/2") for each additional metre
115mm (4 1/2") for each additional metre	
TWO BLINDS ON ONE TRACK	
Treat as two separate blinds and use the split draw blind table to determine the widths of the bunches at the ends of the blind. To determine the width of the combined centre bunch take the total of the widths of the outside louvres and add 155mm (4 7/8") for 127mm (5") louvres and 75mm (3") for 89mm (3 1/2") louvres.	

MAESTRO™

Vertical Blind System



SPECIAL FEATURES

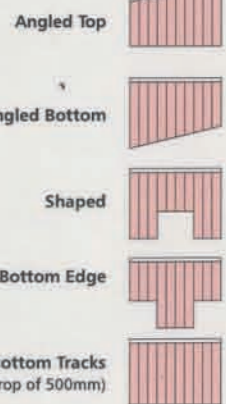
- Unique profile for all installations
- Extensive range of fixing options for all installation requirements
- Direct chain control gearing for instant operator response
- Unique NEW CONCEPT™ carrier trucks for smoothness and reliability
- Fully integrated end cap design enhances the appearance both inside and outside recess
- Options of metal or plastic operating chain
- Increased headrail closure for improved aesthetics
- Available in anodised or white painted aluminium with colour keyed componentry

FIXING

The vertical blinds are supplied with fixing brackets as standard. The wide range of brackets includes face, top and side fixing versions. There are four sizes of face fixing brackets, two of them adjustable. Face fixing brackets can also be used as top fix brackets.

FACE FIX BRACKETS	TOP FIX BRACKETS	SIDE FIX BRACKETS
Face Fix White Painted / Zinc Plated 20mm (3/4") Wide Fixing Plate 51mm (2") Height Fixing Plate 69mm (2 3/4") Hook to Wall for 89mm (3 1/2") Louvres 92mm (3 3/4") Projection for 89mm (3 1/2") Louvres 86mm (3 3/8") Hook to Wall for 127mm (5") Louvres 109mm (4 1/4") Projection for 127mm (5") Louvres	Top Fix Screw White Painted / Zinc Plated 25mm (1") Wide Fixing Plate 10mm (3/8") Height Fixing Plate 23mm (7/8") Hook to Wall 45mm (1 3/4") Projection	Side Fix Brackets White Painted / Zinc Plated 20mm (3/8") Wide Fixing Plate 51mm (2") Height Fixing Plate 62mm (2 1/2") min. Hook to Wall for 89mm (3 1/2") Louvres 74mm (2 7/8") Projection for 89mm (3 1/2") Louvres 80mm (3 1/8") min. Hook to Wall for 127mm (5") Louvres 91mm (3 3/4") Projection for 127mm (5") Louvres
Shallow Frame Face Fix White Painted / Zinc Plated 45mm (1 3/8") Wide Fixing Plate 30mm (1 1/8") Height Fixing Plate 66mm (2 1/2") Hook to Wall for 89mm (3 1/2") Louvres 89mm (3 3/4") Projection for 89mm (3 1/2") Louvres 86mm (3 3/8") Hook to Wall for 127mm (5") Louvres 109mm (4 1/4") Projection for 127mm (5") Louvres	Top Fix Spring White Painted / Zinc Plated 20mm (3/8") Wide Fixing Plate 14mm (1/2") Height Fixing Plate 23mm (7/8") Hook to Wall 58mm (2 1/4") Projection	
Adjustable Face Fix White Painted / Zinc Plated 45mm (1 3/8") Wide Fixing Plate 30mm (1 1/8") Height Fixing Plate 135-185mm (5 1/4" - 7 1/4") Short Arm - Hook to Wall for 89mm (3 1/2") Louvres 147-197mm (5 7/8" - 7 7/8") Short Arm - Projection for 89mm (3 1/2") Louvres 160-210mm (6 2/8" - 8 1/4") Long Arm - Hook to Wall for 127mm (5") Louvres 172-222mm (6 3/4" - 8 1/2") Long Arm - Projection for 127mm (5") Louvres	Extension Top Fix White Painted / Zinc Plated 20mm (3/8") Wide Plate 140mm (5 1/2") Overall Length (Short Arm) 171mm (6 3/4") Overall Length (Long Arm)	

SHAPED BLIND OPTIONS



N.B. Drilling fixing holes in the track is not recommended. This practice interferes with the smooth operation of the blind and can eventually lead to permanent damage.