



Cassette awning

markilux 1710

The classic torque bar awning with a designer look.

The droplet-shaped cover cassette lends it a harmonious appearance.



reddot design award
winner 2012



German
Design Award
NOMINEE 2014

markilux.com

markilux

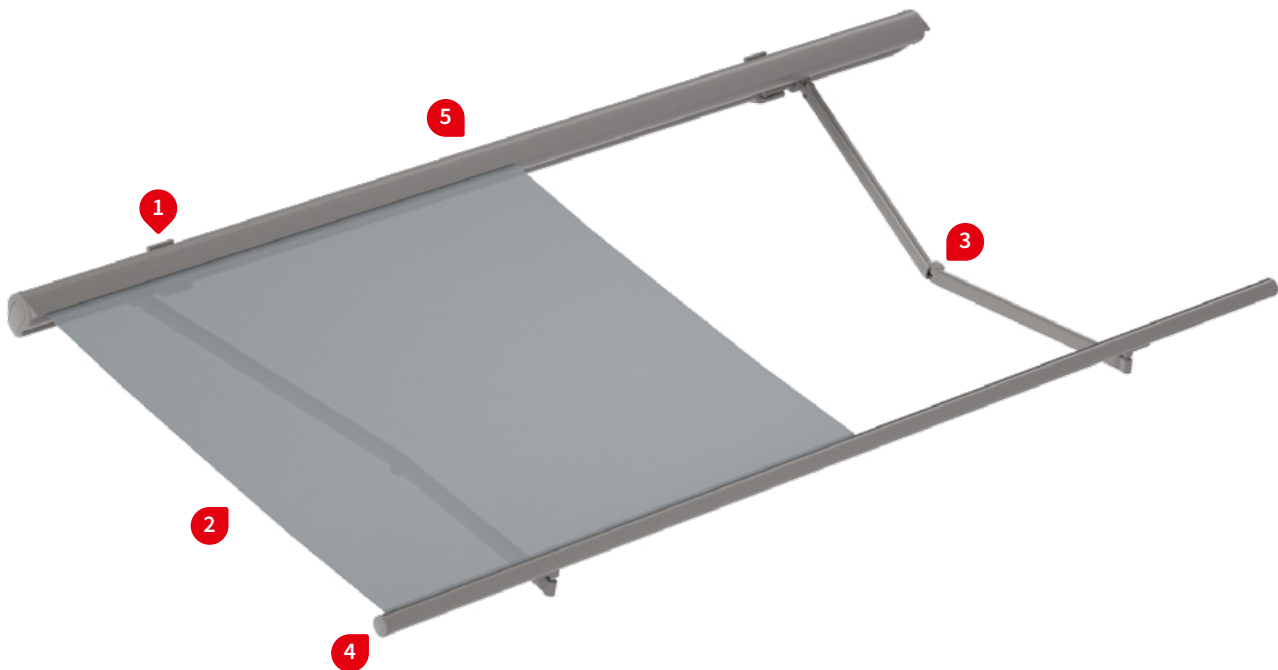
safe timeless beautiful

Product characteristics

Wind resistance class 2

Beaufort 5 → 7.5–10.4 m/s → 28–37 km/h → 17–23 mph

01
02
03
04
05
06
07
08
09



10

11
12
13
14
15
16
17

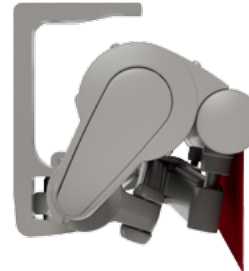
1 face fixture



1 face fixture, maximum pitch of 25°



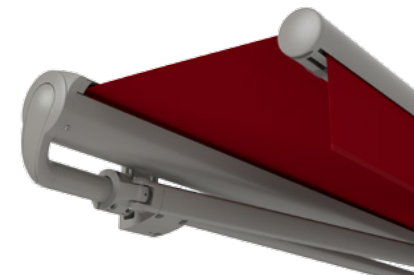
1 top fixture



1 crank handle



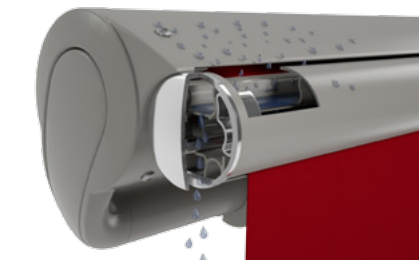
2 during extension



3 bionic tendon made of high-tech fibres for optimum power transference



4 special water drainage method and cover pocket hidden in the front profile



5 wall sealing profile ¹⁾ up to a pitch of 15°



1) optional configuration

Product characteristics

Description

- extremely robust construction, ideally suited for shading large areas.

Special features

- awning with an extremely torsion-resistant, round torque bar which gives a certain degree of flexibility when choosing the fixture points
- round, fluid transition from the round torque bar to the round cassette
- cover cassette with arms in front, covered and protected by the valance when closed – even when fully extended, the roller tube is completely protected

Dimensions

- cassette in the standard version: depth 236 mm, height 217 mm
- single unit: minimum width 167 cm at the smallest projection of 150 cm, maximum width 700 cm at the largest projection of 350 cm
- also available as a coupled unit

Roller tube and lateral arm bearers

- round roller tube Ø 85 mm with keyway, galvanised steel – excellent stability ensures near perfect cover performance even at the largest widths
- the roller support bracket is made of die-cast aluminium, powder coated, with integrated hidden cable canal when motor driven

Awning profiles

- extruded aluminium, in façade quality, powder coated
- cassette in two parts
- circular front profile with integrated gutter
- round steel torque bar Ø 50 mm, galvanised both inside and out, powder coated

folding arms

- profiles in extruded aluminium, in façade quality, powder coated
- moving parts made of drop-forged aluminium – the arms are therefore extremely fracture resistant
- pivot bolts in stainless steel run in Teflon-coated bronze bushes – practically maintenance free, virtually silent and extremely hard-wearing
- power transference via the innovative Bionic tendon at the elbow joint, made of high tensile, hightech fibres – low in friction, noiseless, insensitive to corrosion and UV resistant, independently tested by the Fraunhofer Institute

Side caps

- the roller support bracket insert sections are made of high-quality plastic, powder coated or in a polished chrome finish
- the front profile end caps are made of high-quality plastic, powder coated or in polished chrome, with drainage holes

Fixture brackets

- face fixture, top fixture, eaves fixture
- extruded aluminium, powder coated
- pitch range 5°–25°, infinitely adjustable
- spacer plates, stand-off brackets and other accessories are available

01 **Frame and end cap colours**

markilux frame colours without surcharge

02 traffic white RAL 9016

metallic aluminium RAL 9006

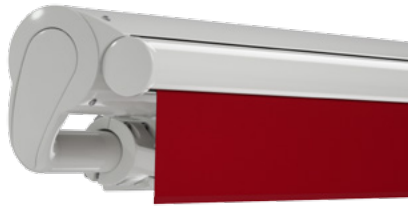
grey brown, similar to RAL 8019

03

04

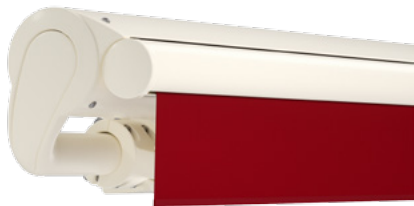
05

06

07 off-white textured finish, 5233 ¹⁾stone grey metallic, 5215 ¹⁾anthracite metallic, 5204 ¹⁾

08

09



10

11

Havana brown textured finish, 5229 ¹⁾

12

13

14

15



16

17

off-white textured finish, 5233 ¹⁾
insert and front profile end cap
in polished chromestone grey metallic, 5215 ¹⁾
insert and front profile end cap
in polished chromeanthracite metallic, 5204 ¹⁾
insert and front profile end cap
in polished chrome

Combination options – possible in any frame colour.

Non-standard powder-coated finish

Bespoke frame colours at a surcharge – matt, metallic and pearl finishes as well as other colour ranges (DB, Tiger etc.) on request. All frame colours are available at a surcharge with enhanced corrosion protection.

1) textured finish

Colours may differ slightly from those depicted in both hue and finish.

Dimensions and configuration options

Single unit

		Overall blind width										Minimum width				
		250	300	350	400	450	500	550	600	650	700 ¹⁾	Motor			Crank handle	
Order dimensions		167	251	301	351	401	451	501	551	601	651					
		250	300	350	400	450	500	550	600	650	700					
H	150	2)						3)	3)			180	167	—	182	169
	200	2)						3)	3)			230	217	—	232	219
	250	—	2)					3)				280	267	—	282	269
	300	—	—	2)								330	317	—	332	319
	350	—	—	—	2)					1)		380	367	618	382	369

dimensions in cm

- 1) = only available with motor drive (surcharge)
- 2) = observe the minimum widths!
- 3) = + 1 cassette support bracket
- H = extension

- = 2 folding arms, 2 brackets
- = 2 folding arms, 3 brackets
1 cassette support bracket
- = 3 folding arms, 4 brackets,
2 cassette supports

- = 2 standard arms
- = 2 bespoke arms (surcharge)
- = 3 standard arms

Operation

	standard	optional
crank handle	✓	—
spring-assisted crank handle	—	✓
hard-wired motor	—	✓
silentec motor (optionally with an external io / RTS receiver) ¹⁾	—	—
radio-controlled motor io, 868 MHz	—	✓
radio-controlled motor RTS, 433 MHz	—	✓
radio-controlled motor RTS, 433 MHz with manual override ¹⁾	—	—

1) for awnings with a maximum of 2 arms

Coupled Awning (only with motor drive)¹⁾

2 fields, 1 motor, maximum width 1390 cm
maximum extension 350 cm
junction roller (one-piece cover not available)

1) **N.B!** – Important background information can be found in the chapter “General Information”, in the section “Coupled Awnings”.

awning cover

	fabric range no.	standard	optional
sunvas	301.. / 309..–315..	✓	—
perla	370 ..	—	✓
sunsilk	324.. / 325.. / 328.. / 369..	✓	—
perla FR	374.. / 375..	—	✓
perfotex	331.. / 332..	—	—
transolair	338..	—	—
vuscreen Alu	317..	—	—
Soltis Perform 92	92-20..	—	—
glass fibre screen	272..	—	—
valance, height 20 cm		✓	—

Shadeplus / drop valance

not available

01	Optional accessories
02	wall sealing profile (effective up to a maximum awning pitch of 15°)
03	infrared heater 2000 W / 2500 W
04	infrared heater 2500 W with integrated radio-controlled receiver 868 MHz io
05	LED spotline – light bar 110 × 70 mm with 5 W LED spotlights, width 180 cm / 3 spots or 300 cm / 5 spots
06	LED spotline io – light bar 110 × 70 mm with 5 W LED spotlights with integrated dimmable radio-controlled receiver, width 180 cm / 3 spots or 300 cm / 5 spots
07	Halogen spotline – light bar 89 mm × 40 mm with 20 W halogen spotlights, 200 cm / 3 spots or 300 cm / 5 spots
08	automatic controls (light, wind, rain)

N.B! Important background information can be found in the chapter “Optional Accessories”.

Fixture options	
wall bracket 100 mm	70867.
wall bracket 45 mm	71813.
spreader plate A 430 × 160 × 12 mm	75326.
spreader plate B 300 × 400 × 12 mm	75325.
stand-off bracket wide 80–300 mm	77968.
stand-off bracket narrow 80–300 mm	77967.
top fixture bracket 90 mm	70868.
top fixture bracket 45 mm	71818.
eaves fixture bracket 90 mm, 150 mm plate	71612.
eaves fixture bracket 90 mm, 270 mm plate	71659.
flat plate and angled bracket for eaves fixture, machine finish aluminium, 500 mm plate	716620
spreader plate 260 × 60 × 12 mm for eaves fixture bracket	75383.
angled profile for eaves fixture 160 × 160 × 12 mm, machine finish aluminium, undrilled, by the metre (max. 3 m)	79380.

10

11

12

13

14

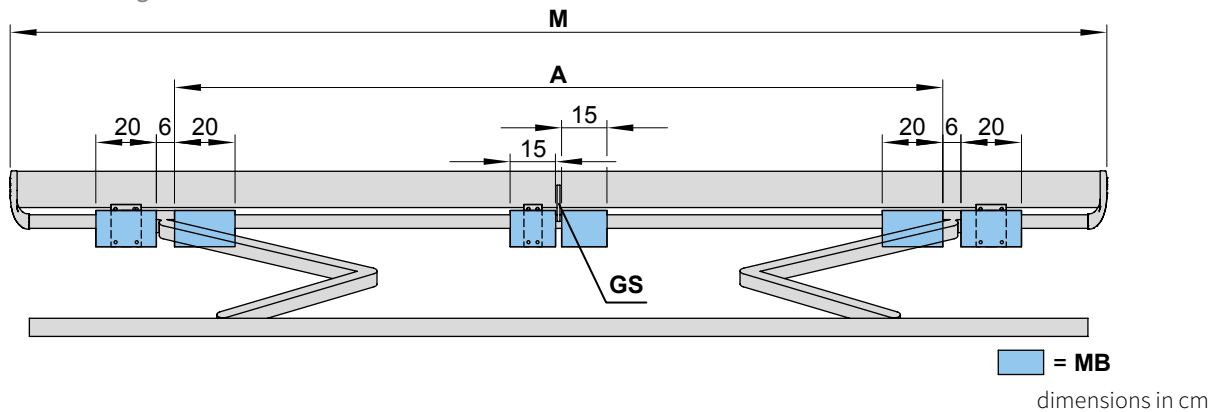
15

16

17

Bracket fixture range

Awning with 2 folding arms



		Overall blind width								
		250	300	350	400	450	500	550	600	650
Order dimensions		180	251	301	351	401	451	501	551	601
		250	300	350	400	450	500	550	600	650
		Arm position A								
H	150	154 ¹⁾	210	240	280	320	390	425	460	500
	200	204 ²⁾	210 ¹⁾	240	280	320	390	425	460	500
	250	—	254 ²⁾	260 ¹⁾	280	320	390	425	460	500
	300	—	—	304 ²⁾	310 ¹⁾	320	390	425	460	500
	350	—	—	—	354 ²⁾	360 ¹⁾	390	425	460	—
		dimensions in cm								
		BHT	No. of brackets No. of fixing points							
W	45		—					1 2		
	100		2 6					2 6		
BP			A 2 16				B 2 8			
DP			—					1		
DE	45		—					1 2		
	90		2 8					2 8		
DA	90		2 8					3 12		
		dimensions in mm								

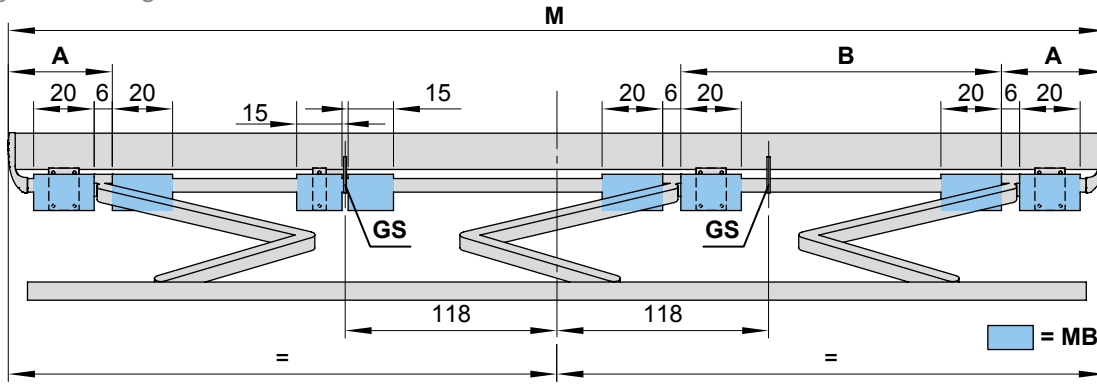
If the brackets cannot be positioned in accordance with this table, make sure the actual dimensions are noted on the order form!

- 1) = coupled awning in intermediate widths available on request with junction roller
- 2) = please note the minimum widths! Dimension A is only valid for standard arms! Dimension A is 13 cm smaller in the case of bespoke arms. In the case of small awnings the brackets can only be fitted inside the arms, i.e. the position denoted by measurement A. Coupled units are not available with junction roller.

- A** = arm position
BHT = bracket width
BP = spreader plate A or B, to be positioned behind the folding arm
DA = eaves fixture bracket
DE = top fixture bracket
DP = spacer plate 71826., to be positioned near to the cassette support in the case of spreader plate A or B
GS = cassette support bracket
H = *order dimension* = extension
M = *order dimension* = awning width
MB = bracket fixture range
W = face fixture brackets

Bracket fixture range

Awning with 3 folding arms



dimensions in cm

Overall blind width			
650		700	
618	651	675	690
650	674	689	700

Order dimensions

		Arm position							
		A	B	A	B	A	B	A	B
H	150	—	—	55	235	55	245	55	245
	200	—	—	55	225	55	235	55	235
	250	—	—	55	215	55	225	55	225
	300	—	—	45	210	55	215	55	215
	350	13 ¹⁾	215 ¹⁾	23 ¹⁾	215 ¹⁾	31 ¹⁾	225 ¹⁾	38	225

dimensions in cm

BHT		No. of brackets No. of fixing points	
W	45	1 2	
	100	3 9	
BP		A 3 24	B 3 12
DP		1	
DE	45	1 2	
	90	3 12	
DA	90	4 16	

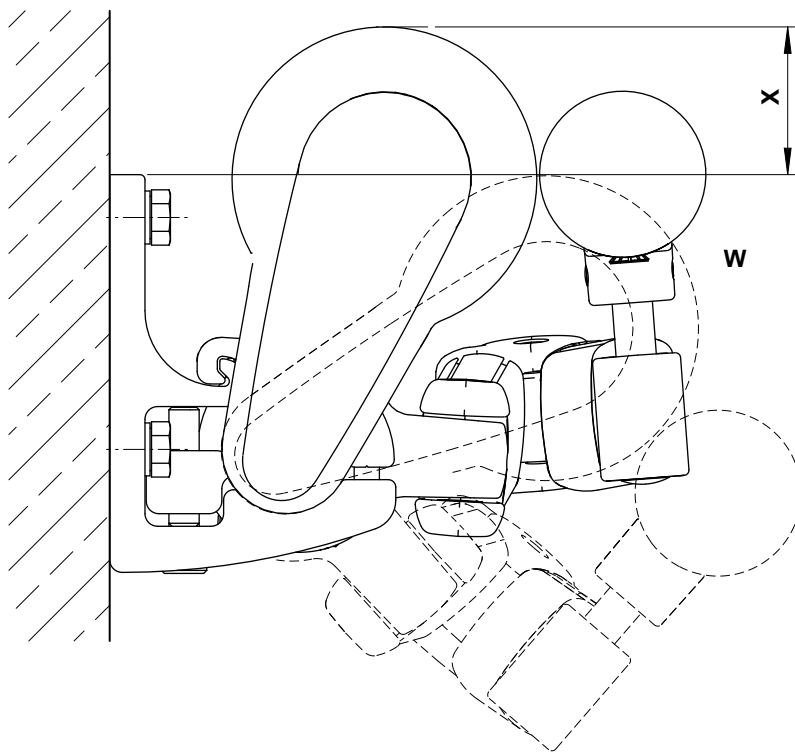
dimensions in mm

If the brackets cannot be positioned in accordance with this table, make sure the actual dimensions are noted on the order form!

- 1) = coupled units are not available with junction roller
- A, B = arm position
- BHT = bracket width
- BP = spreader plate A or B, to be positioned behind the folding arm
- DA = eaves fixture bracket
- DE = top fixture bracket
- DP = spacer plate 71826., to be positioned behind the left rolltex bearing, in the case of spreader plate A or B
- GS = cassette support bracket
- H = *order dimension* = extension
- M = *order dimension* = awning width
- MB = bracket fixture range
- W = face fixture brackets

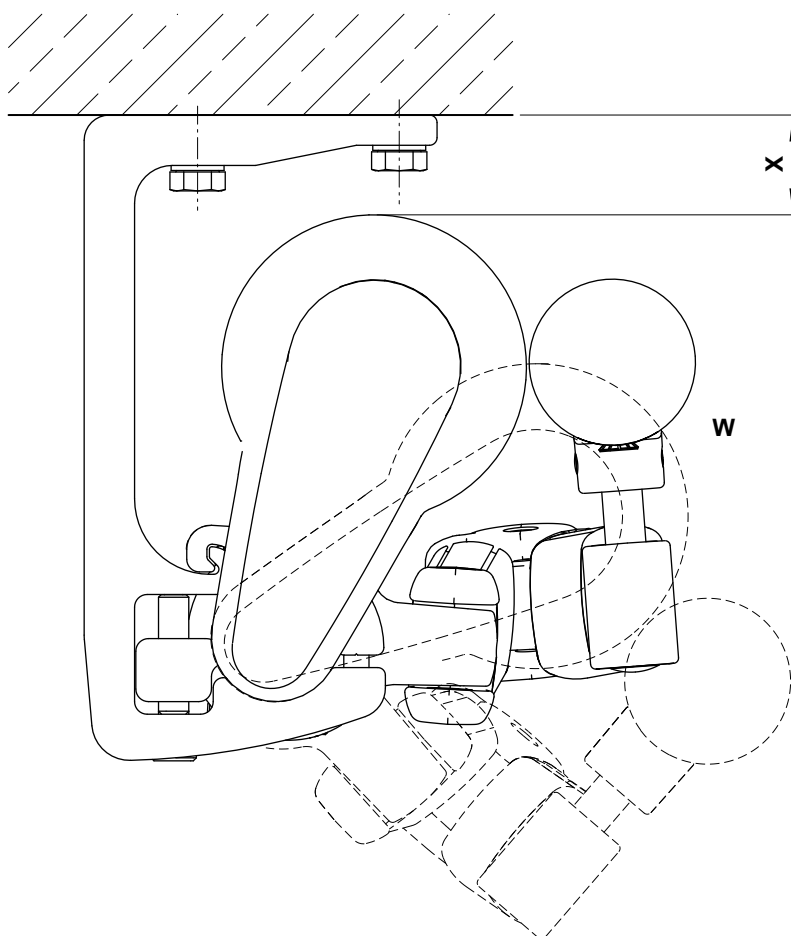
Overall unit height at different pitch settings

Face fixture



pitch (W)	approx. height in mm (X)
5°	59
10°	55
15°	50
20°	45
25°	39

Top fixture

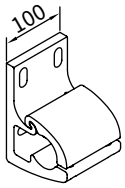


pitch (W)	approx. height in mm (X)
5°	40
10°	44
15°	48
20°	54
25°	60

01
02
03
04
05
06
07
08
09
10
11
12
13
14
15
16
17

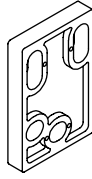
Face fixture

Fixtures, fittings and accessories



face fixture brackets
100 mm

70867.



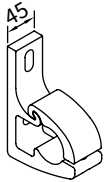
spacer plate for face fixture
100 × 150 × 20 mm
N.B!
stack to a max. height of 200 mm

718231



spacer plate for face fixture
100 × 150 × 12 mm

718241



face fixture brackets
for central fixture,
depending on size
45 mm

71813.



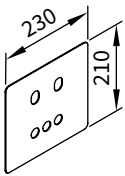
spacer plate for face fixture
45 × 150 × 20 mm
N.B!
stack to a max. height of 200 mm

718251



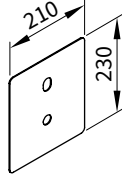
spacer plate for face fixture
45 × 150 × 12 mm

71826.



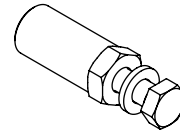
cover plate
for spacer plate
and stand-off brackets
in the case of external
insulation
230 × 210 × 2 mm

71843.



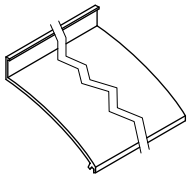
cover plate
for spacer plate
and stand-off brackets
in the case of external
insulation
210 × 230 × 2 mm

71844.



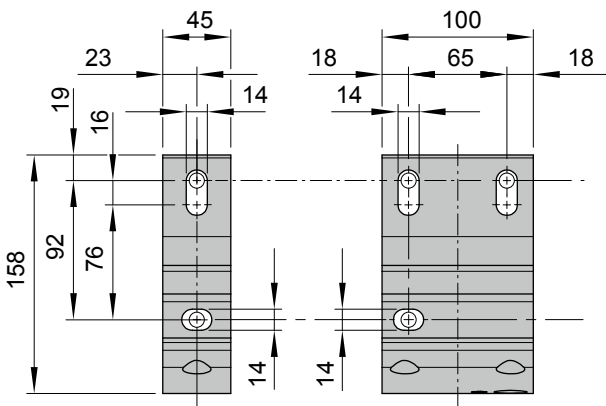
bolt reduction assembly
pack 10 pcs

M 16 → M 12 | M 16 → M 10 | M 12 → M 10 | M 10 → M 10



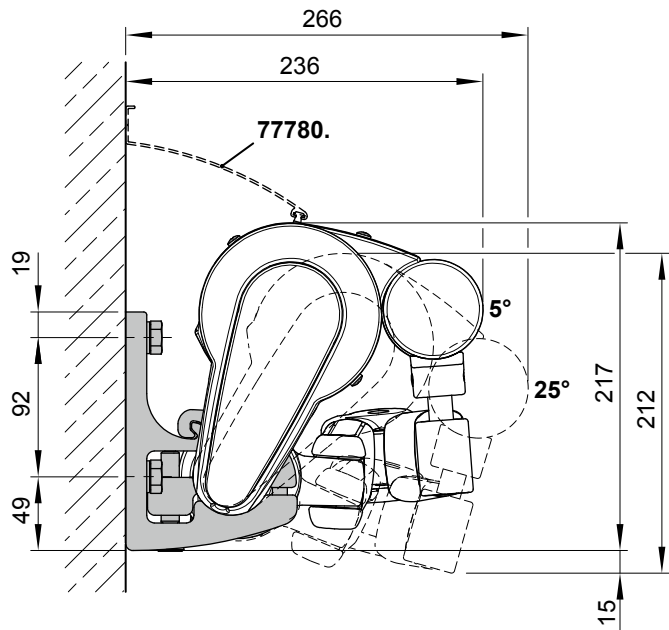
wall sealing profile
available by the metre

77780.



71813.

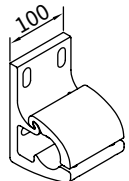
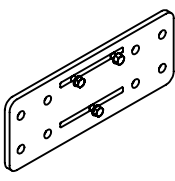
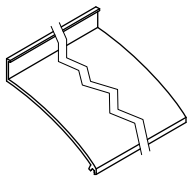
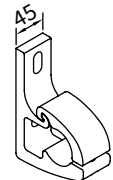

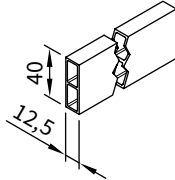
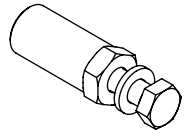
70867.



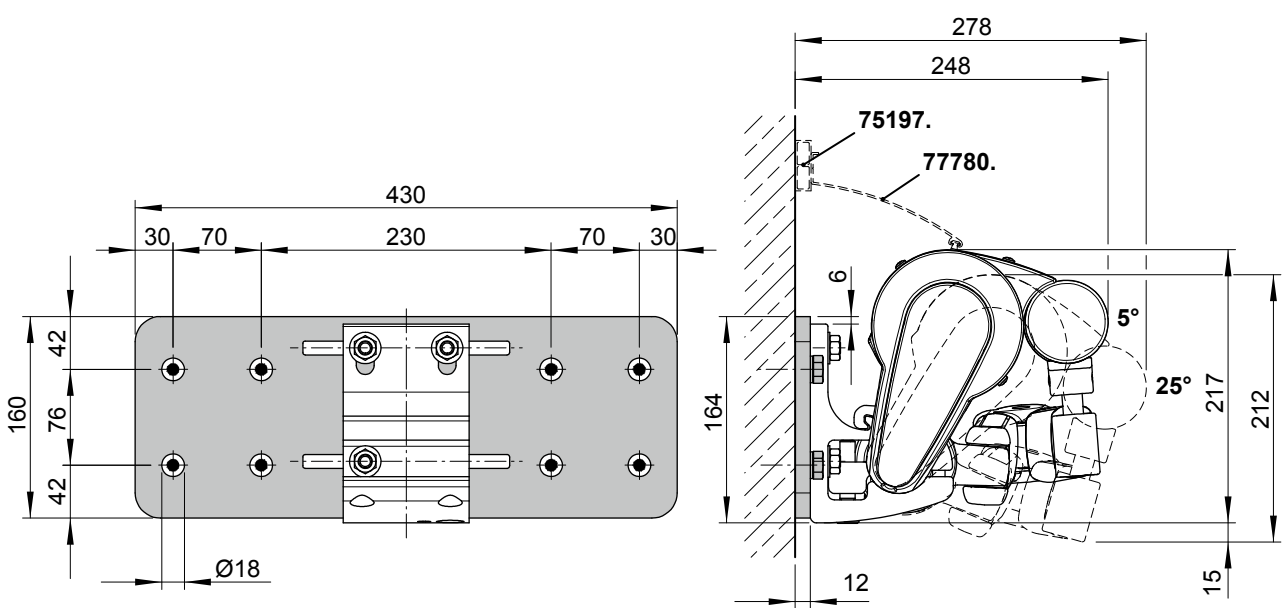
dimensions in mm

Face fixture with spreader plate A

Fixtures, fittings and accessories

 <p>face fixture brackets 100 mm</p> <p>70867.</p>	 <p>spreader plate A face fixture 160 × 430 × 12 mm</p> <p>75326.</p>	 <p>wall sealing profile available by the metre</p> <p>77780.</p>
 <p>face fixture brackets for central fixture, depending on size 45 mm</p> <p>71813.</p>	 <p>spacer plate for face fixture 45 × 150 × 12 mm</p> <p>71826.</p>	 <p>stand-off strip for wall sealing profile available by the metre</p> <p>751971</p>
 <p>bolt reduction assembly pack 10 pcs</p> <p>M 16 → M 12 M 16 → M 10 M 12 → M 10 M 10 → M 10</p>		

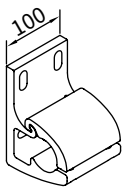
01
02
03
04
05
06
07
08
09
10
11
12
13
14
15
16
17



dimensions in mm

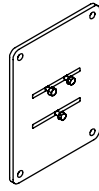
01 **Face fixture with spreader plate B**

02 Fixtures, fittings and accessories



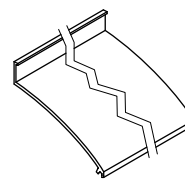
face fixture brackets
100 mm

70867.



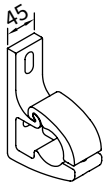
spreader plate B
face fixture
300 × 400 × 12 mm

75325.



wall sealing profile
available by the metre

77780.



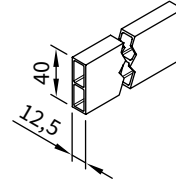
face fixture brackets
for central fixture,
depending on size
45 mm

71813.



spacer plate for face
fixture
45 × 150 × 20 mm

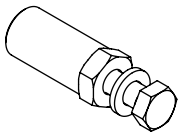
71826.



stand-off strip for
wall sealing profile
available by the metre

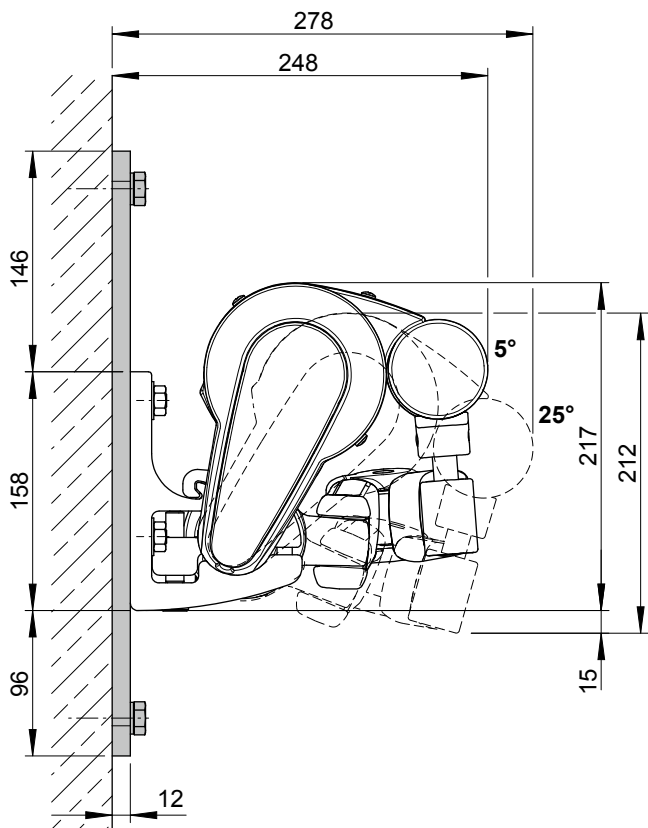
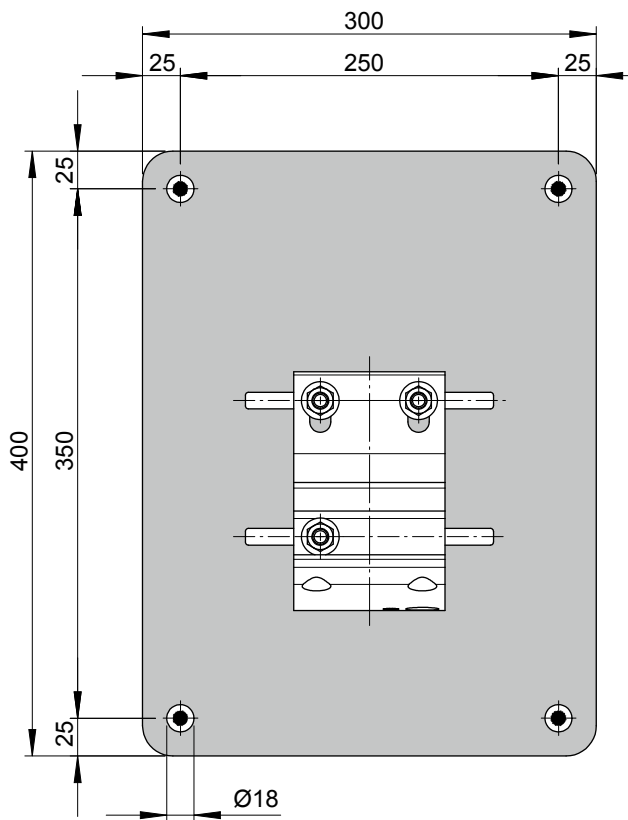
751971

10



bolt reduction assembly
pack 10 pcs

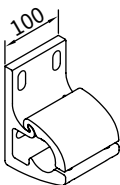
M 16 → M 12 | M 16 → M 10 | M 12 → M 10 | M 10 → M 10



dimensions in mm

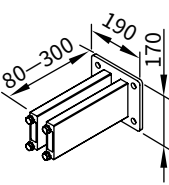
Face fixture with stand-off bracket

Fixtures, fittings and accessories



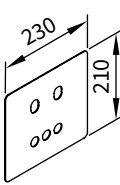
face fixture brackets
100 mm

70867.



stand-off bracket
for face fixture bracket
70867.

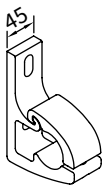
77968.



cover plate
for spacer plate
and stand-off brackets
in the case of external
insulation

230 × 210 × 2 mm

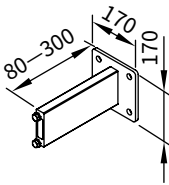
71843.



face fixture brackets
for central fixture,
depending on size

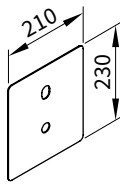
45 mm

71813.



stand-off bracket
for face fixture bracket
71813.

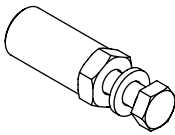
77967.



cover plate
for spacer plate
and stand-off brackets
in the case of external
insulation

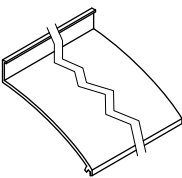
210 × 230 × 2 mm

71844.



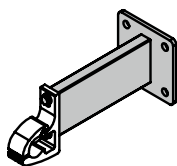
bolt reduction assembly
pack 10 pcs

M 16 → M 12 | M 16 → M 10 | M 12 → M 10 | M 10 → M 10

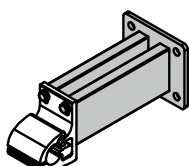


wall sealing profile
available by the metre

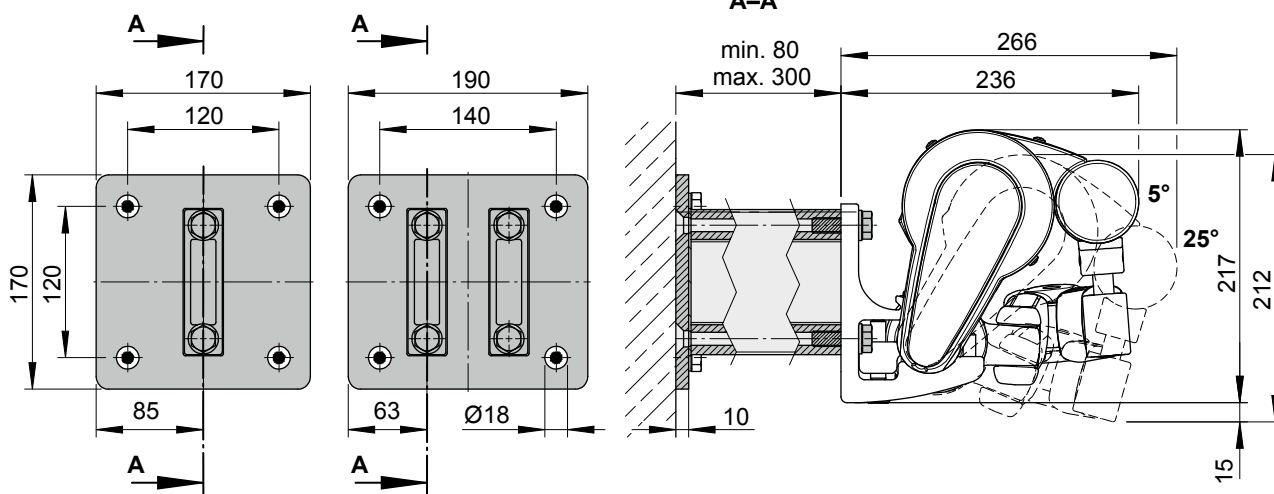
77780.



77967.



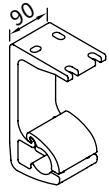
77968.



dimensions in mm

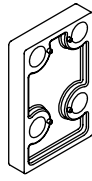
01 **Top fixture**

02 Fixtures, fittings and accessories



top fixture bracket
90 mm

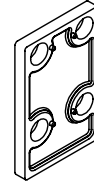
05 **70868.**



spacer plate for
top fixture
90 × 140 × 20 mm

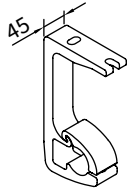
N.B!
stack to a max. height of
200 mm

716311



spacer plate for
top fixture
90 × 140 × 12 mm

716411



additional top fixture
bracket in the case of 3
folding arms

09 **71818.**



spacer plate for
top fixture
45 × 140 × 20 mm

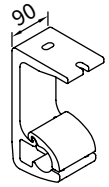
N.B!
stack to a max. height of
200 mm

716261



spacer plate for
top fixture
45 × 140 × 12 mm

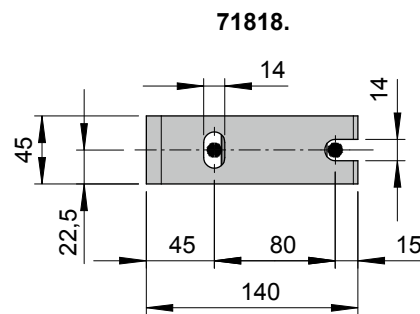
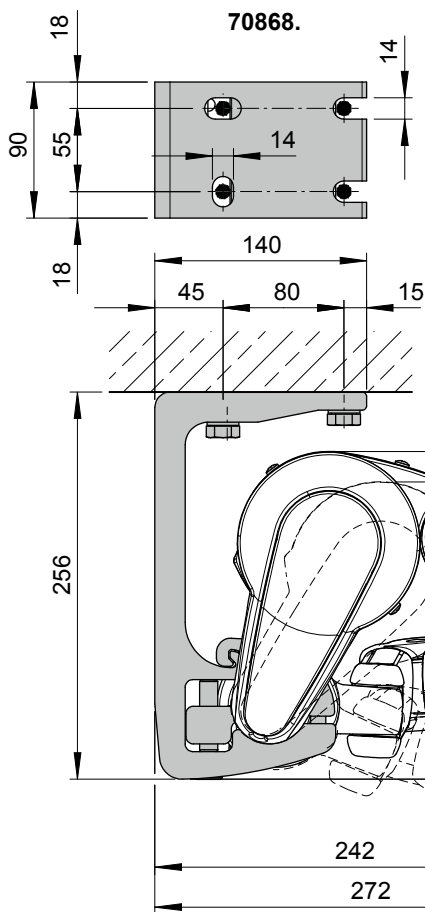
716371



top fixture bracket
for central fixture

N.B!
The pull-out forces are
double those of top fixture
bracket 70868.

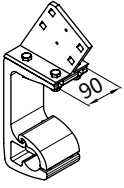
70869.



dimensions in mm

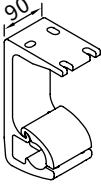
Eaves fixture

Fixtures, fittings and accessories



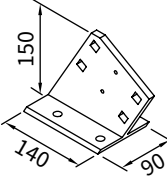
eaves fixture bracket
complete set
height of flat plate: 150 mm
90 mm

70871.



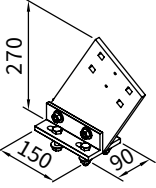
top fixture bracket
90 mm

70868.



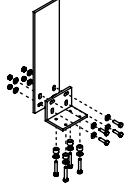
eaves fixture bracket
150 mm plate

71612.



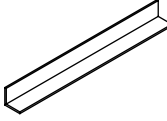
eaves fixture bracket
270 mm plate
please refer to "Eaves fixture with spreader / backing plate"

71659.



flat plate and angled bracket for eaves fixture
machine finish

716620

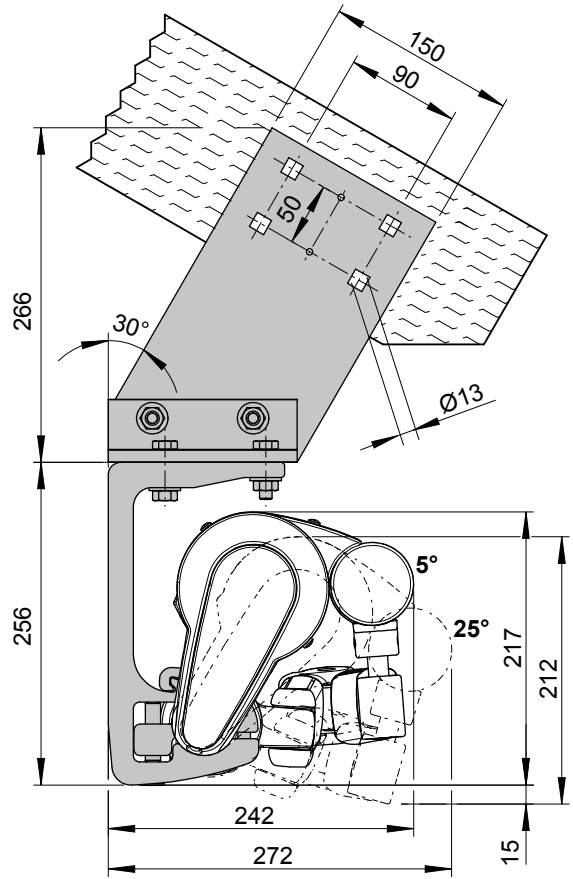
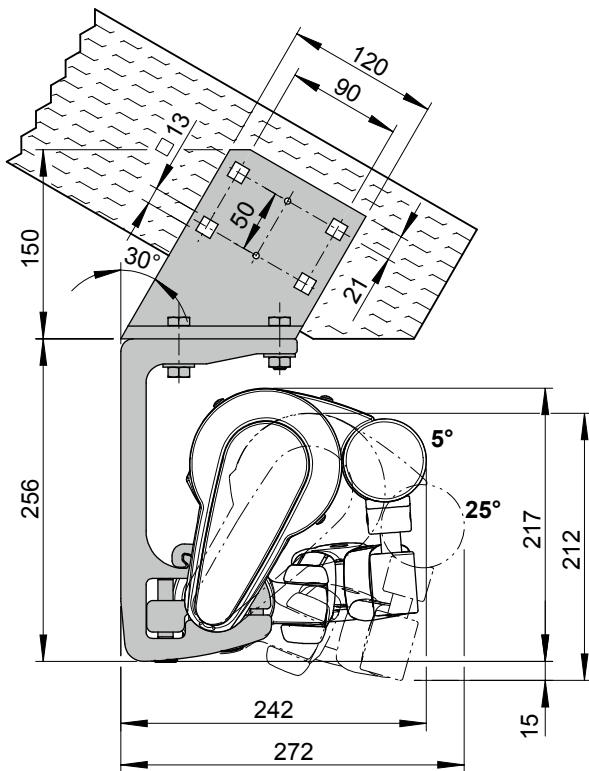


angled profile eaves fixture bracket
100 × 100 mm
Sold by the metre, not pre-drilled
793800 = machine finish

79380.

With eaves fixture bracket, 150 mm plate (71612.)

With eaves fixture bracket, 270 mm plate (71659.)



dimensions in mm

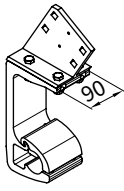
01
02
03
04
05
06
07
08
09

10

11
12
13
14
15
16
17

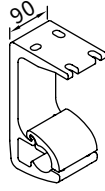
Eaves fixture with additional plate

Fixtures, fittings and accessories



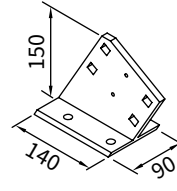
eaves fixture bracket
complete set
height of flat
plate: 150 mm
90 mm

70871.



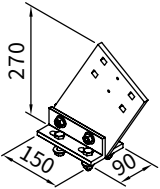
top fixture bracket
90 mm

70868.



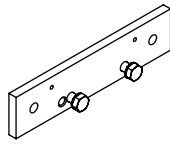
eaves fixture bracket
150 mm plate

71612.



eaves fixture bracket
270 mm plate
please refer to "Eaves
fixture with spreader /
backing plate"

71659.



supplementary flat plate
eaves fixture
260 × 60 × 12 mm

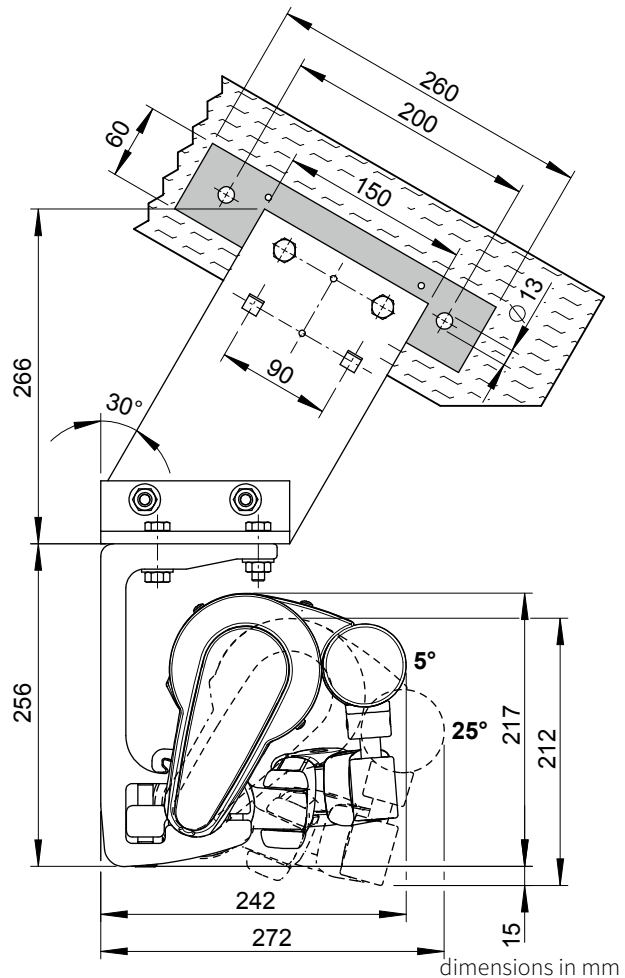
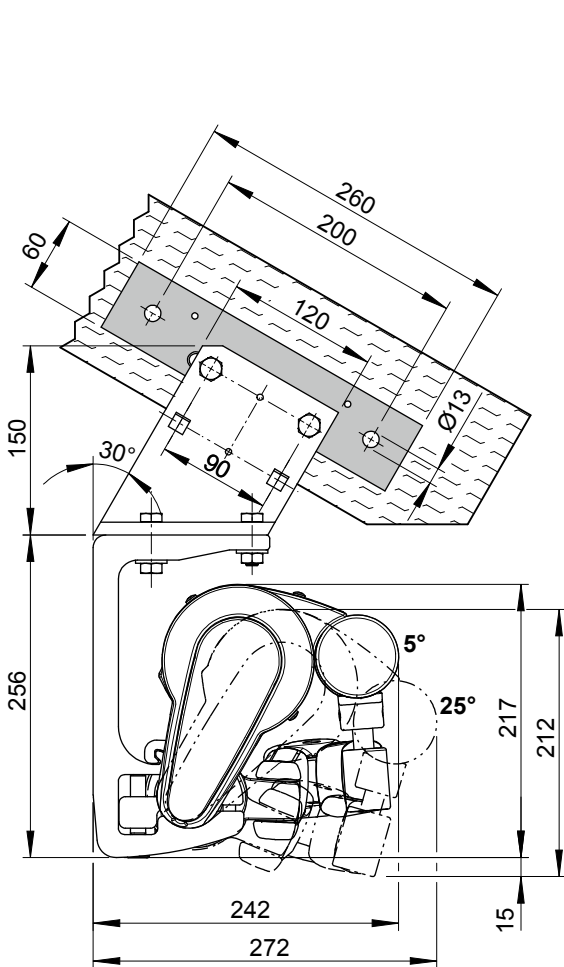
please refer to "Eaves
fixture with spreader /
backing plate"

75383.

10

With eaves fixture bracket, 150 mm plate (71612.)

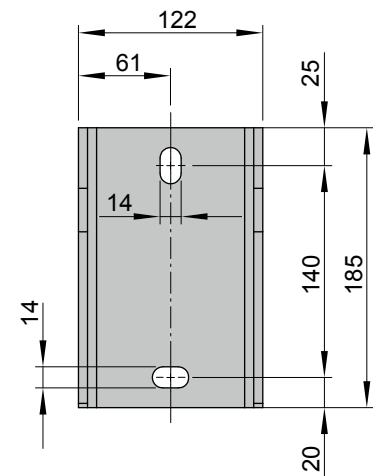
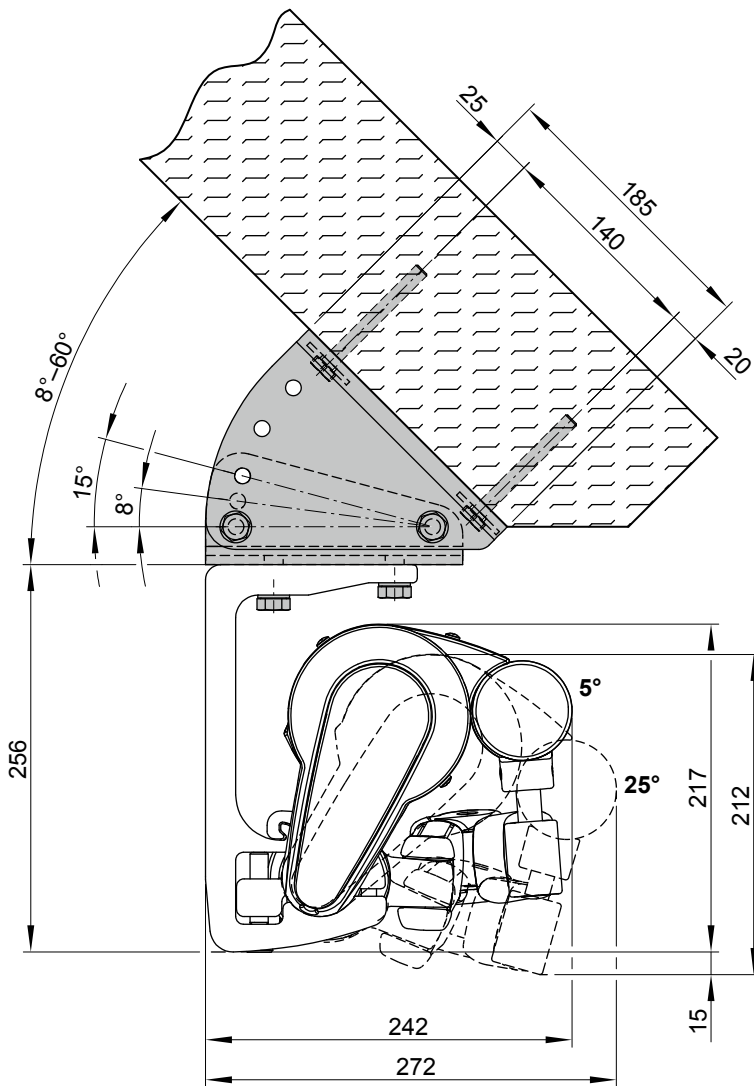
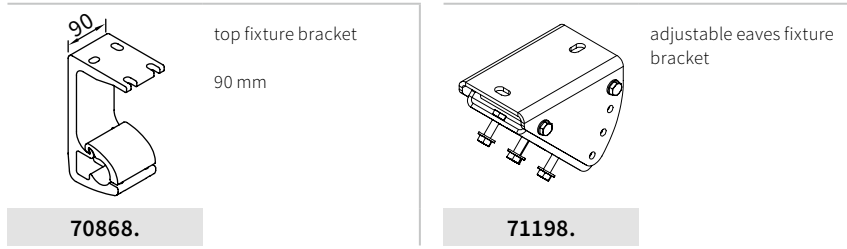
With eaves fixture bracket, 270 mm plate (71659.)



dimensions in mm

Eaves fixture with adjustable eaves fixture bracket

Fixtures, fittings and accessories



dimensions in mm

01
02
03
04
05
06
07
08
09
10
11
12
13
14
15
16
17

01 **Face fixture, manual gearbox operation, dimensions at pitches between 5°-25°**

02

03

04

05

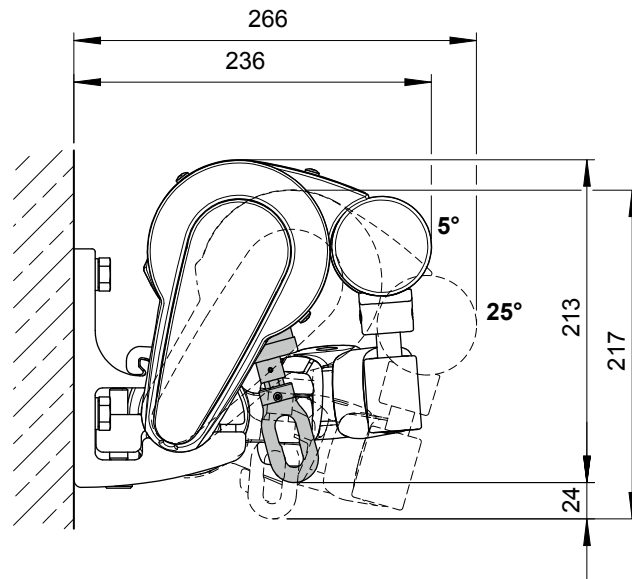
06

07

08

09

10



11

12

13

14

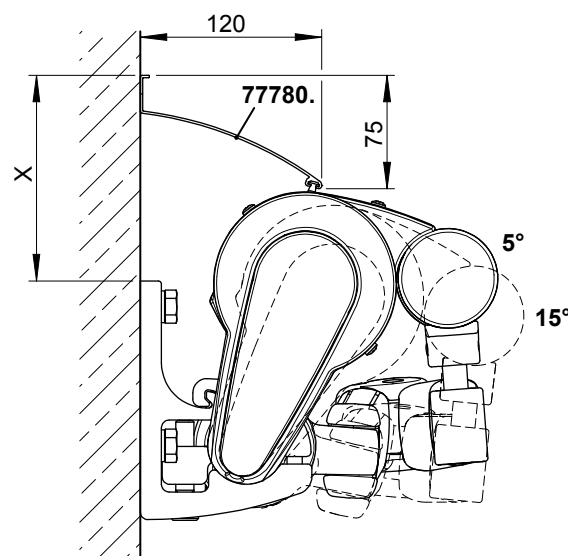
Face fixture with wall sealing profile, max. pitch 15°

15

16

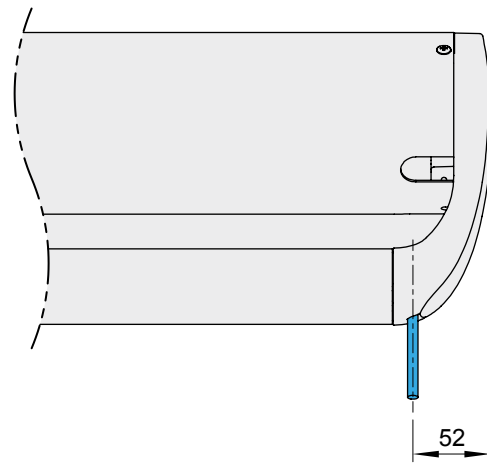
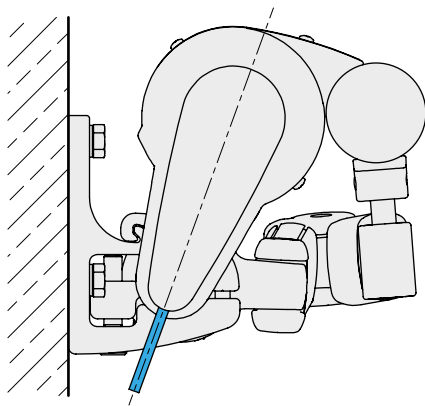
17

pitch (W)	approx. height in mm (X)
5°	136
10°	132
15°	127
20°	—
25°	—



dimensions in mm

Motor cable exit point



- 01
- 02
- 03
- 04
- 05
- 06
- 07
- 08
- 09
- 10**
- 11
- 12
- 13
- 14
- 15
- 16
- 17

dimensions in mm

01

02

03

04

05

06

07

08

09

10

11

12

13

14

15

16

17